

WIRELESS SIGNALLING UNITS



The **Micha** Wireless Signalling Units are designed to facilitate connection between the Power Generation Display Unit and a remote energy meter.

The Receiver unit (PN: 101978, picture on left) can be used with up to four separate Transmitter units (PN: 101977, picture on right) with an expected range of up to 500M. Range is highly dependant on positioning and local conditions - reception will be affected by both internal and external walls of buildings. The units should be mounted as high as possible with the aerial vertical, and away from any obstruction, particularly metal.

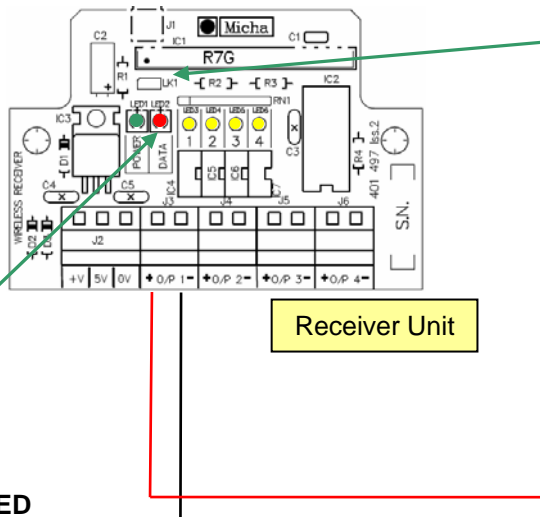
The transmitter and receiver units are supplied as matched units to minimise cross-talk between other installations. If replacement or additional units are supplied, instructions for setting the receiver to 'learn' the transmitters will be supplied.



Installation Connections: Receiver

The Receiver unit is designed specifically to work with the Micha Power Generation Display and should be connected to it as below. Connect a +5V supply from the Power Generation Control pcb to the '5V' and '0V' terminals, or an isolated 7V-15V supply to the '+V' and '0V' terminals.

Connect each used output pair of terminals to the appropriate input terminals as shown below.



LK1 is used for 'learning' matched transmitters.

Learn Mode: short out LK1 for approximately 1 second. The Data LED will turn on. After the first valid input, the LED will turn off, after the second input it will pulse for around 3 seconds.

Erase Mode: short out LK1 for 8-10 seconds. The Data LED will pulse for around 3 seconds after which all memorised transmitters will be erased.

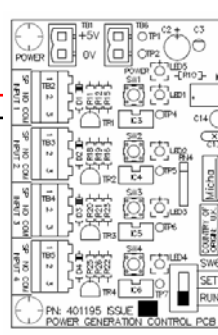
(Transmitter and Receiver units are normally supplied as matched pairs.)

Data LED

The Data LED pulses brightly if a valid signal is received. The relevant channel LED will also glow to indicate a received signal.

Display Control Pcb (Issue 4)

Connect O/P+ to pin 2
Connect O/P- to pin 3



Display Control Pcb (Issues 1-3)

Connect O/P+ to pin 1
Connect O/P- to pin 2

