



External View



Internal View of Dual Output Unit with MCBs

The **Micha** Array Junction Boxes are available in a range of standard configurations, and can also be custom built to specific requirements. In addition, they can be branded, and have custom Tag Plates and/or Nameplates fitted to the door.

The present standard range is available only in a GRP enclosure rated at IP66, but can be ordered in Painted Steel or Stainless Steel enclosures.

MC4 connectors for up to four PV strings are pre-fitted to the base to aid rapid installation, and outgoing and Earthing cable glands can be specified at time of ordering.

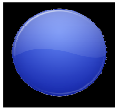
Each string input is connected to one or two high-efficiency Schottky diodes rated at 10A maximum, and the assembly can be configured with either a Common Negative or Common Positive connection. Two diodes per string provides two separate outputs for use in dual-redundant systems, and the outputs can be specified with either DIN-Rail terminals or 2-pole MCBs. Each output is protected by a fused MOV between both Positive and Negative connections and the Earth connection, and these can be readily replaced.

General Specification:

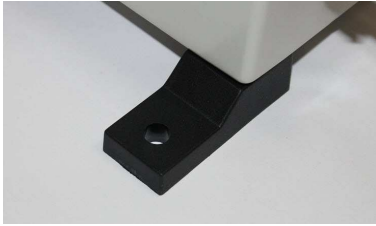
- Operating range : -5°C to +55°C
- Diode Rating : Max current: 10A per input. | Max V_{RRM} : 100V | Typical V_F : 0.5V
- MOV : TMOV20RP115E
- Output Cable Gland : M40 NPB: Cable size 19-28mm O/D
- Earthing cable Gland : M20 NPB: Cable size 7-13mm O/D

Standard versions in GRP

<u>Part No.</u>	<u>Description</u>	<u>Output Connection</u>	<u>Approx. Weight</u>
103 021	4-In MC4 : 1-Out Com Neg	2 x WDU35 (max 35mm ²)	4.1kg
103 022	4-In MC4 : 1-Out Com Pos	2 x WDU35 (max 35mm ²)	4.1kg
103 023	4-In MC4 : 2-Out Com Neg	4 x WDU35 (max 35mm ²)	4.1kg
103 024	4-In MC4 : 2-Out Com Pos	4 x WDU35 (max 35mm ²)	4.1kg
103 025	4-In MC4 : 1-Out MCB Com Neg	1 x 63A DP (max 25mm ²)	4.25kg
103 026	4-In MC4 : 1-Out MCB Com Pos	1 x 63A DP (max 25mm ²)	4.25kg
103 027	4-In MC4 : 2-Out MCB Com Neg	2 x 63A DP (max 25mm ²)	4.5kg
103 028	4-In MC4 : 2-Out MCB Com Pos	2 x 63A DP (max 25mm ²)	4.5kg



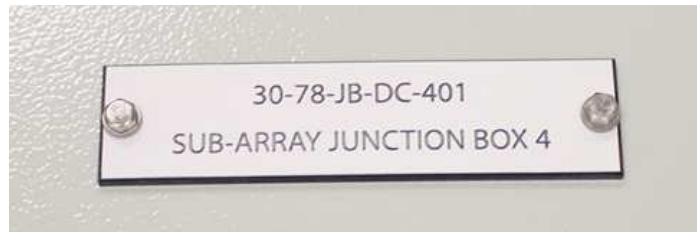
Mounting:



A set of four mounting feet are included which can be fitted in either 'Portrait' or 'landscape' orientation – see the dimensional drawing on page 3 of this document.

Customisation:

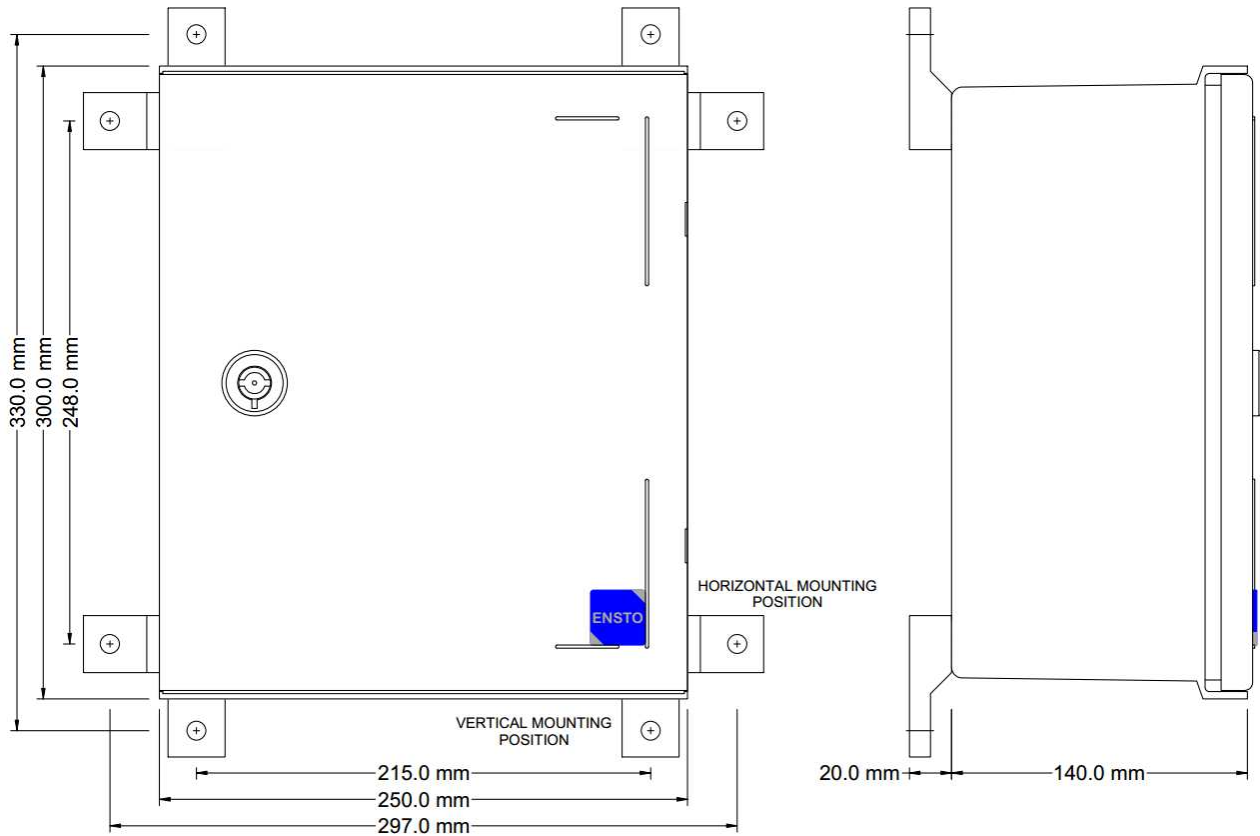
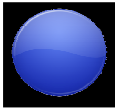
Customer's labelling can be included as required, such as Tag Plates and/or Nameplates engraved in materials such as Stainless Steel 316L, 'Traffolyte' or self-adhesive 'domed stickers'. Customer's own name, logo and part number can also be integrated into the terminal label on the internal mounting plate.



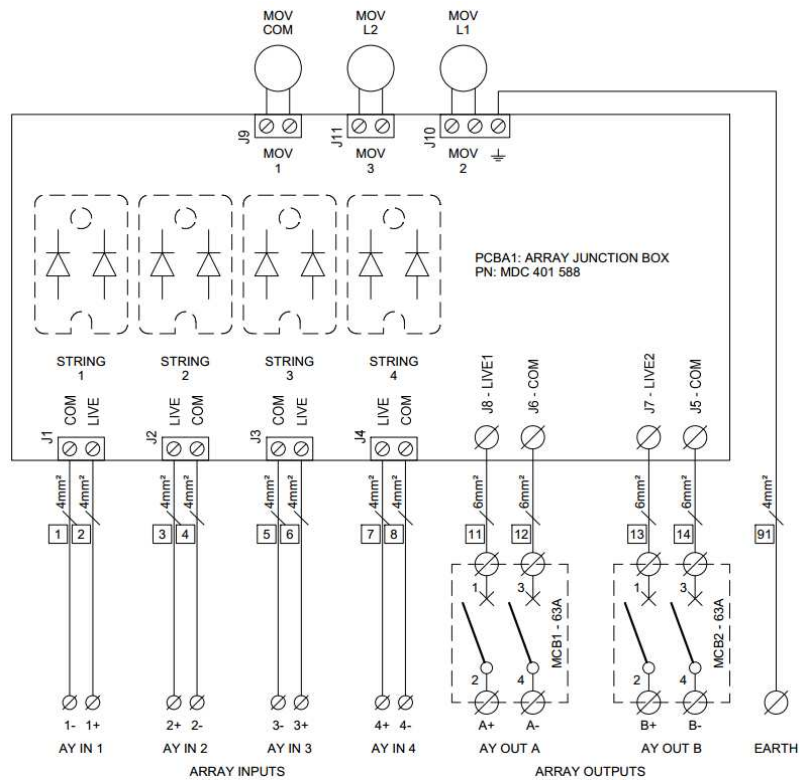
Locking and Security Options:

The standard lock is a polyamide double-bit quarter-turn cam lock as shown below left. Options such as a dust-proof cap (below centre) or padlockable handle (below right) can also be specified.





Enclosure Dimensions and Fixing Centres



Typical Wiring Diagram of PN103 027