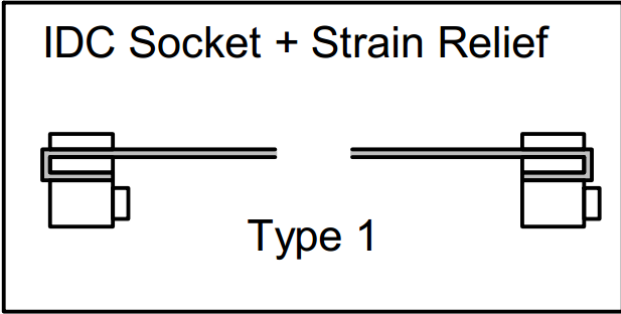
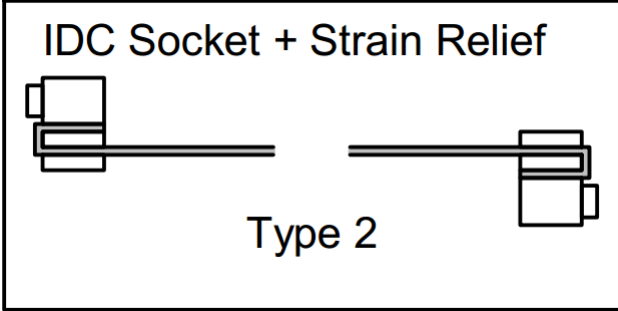


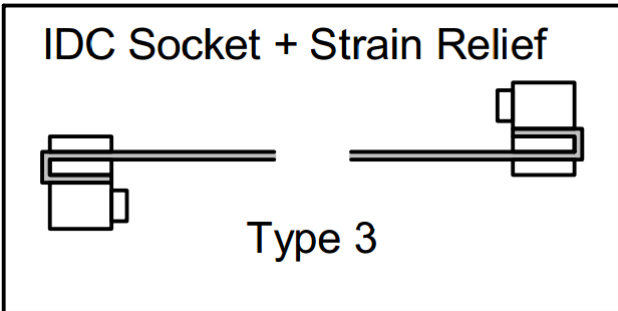


Micha Ribbon Cable Assemblies come in various lengths and number of ways. The following lists cover the standard versions available. (Lengths shown are the distance between the connectors $\pm 5\text{mm}$)




<div style="border: 1px solid black; padding: 10px; margin: 0 auto; width: fit-content;"> <p>IDC Socket + Strain Relief</p>  <p style="text-align: center;">Type 1</p> </div>		
Cores	Part No	Full Description
10	701 042	CBLA 10-Way Ribbon Cable Type 1 25mm
	700 284	CBLA 10-Way Ribbon Cable Type 1 50mm
	700 285	CBLA 10-Way Ribbon Cable Type 1 100mm
	700 286	CBLA 10-Way Ribbon Cable Type 1 150mm
	700 502	CBLA 10-Way Ribbon Cable Type 1 200mm
	700 512	CBLA 10-Way Ribbon Cable Type 1 250mm
	700 503	CBLA 10-Way Ribbon Cable Type 1 300mm
	700 513	CBLA 10-Way Ribbon Cable Type 1 350mm
	700 504	CBLA 10-Way Ribbon Cable Type 1 400mm
	700 514	CBLA 10-Way Ribbon Cable Type 1 450mm
	700 505	CBLA 10-Way Ribbon Cable Type 1 500mm
	700 515	CBLA 10-Way Ribbon Cable Type 1 550mm
	700 506	CBLA 10-Way Ribbon Cable Type 1 600mm
	700 516	CBLA 10-Way Ribbon Cable Type 1 650mm
	700 507	CBLA 10-Way Ribbon Cable Type 1 700mm
	700 517	CBLA 10-Way Ribbon Cable Type 1 750mm
	700 508	CBLA 10-Way Ribbon Cable Type 1 800mm
	700 518	CBLA 10-Way Ribbon Cable Type 1 850mm
	700 509	CBLA 10-Way Ribbon Cable Type 1 900mm
	700 519	CBLA 10-Way Ribbon Cable Type 1 950mm
700 510	CBLA 10-Way Ribbon Cable Type 1 1000mm	
700 873	CBLA 10-Way Ribbon Cable Type 1 1400mm	
700 958	CBLA 10-Way Ribbon Cable Type 1 1500mm	
20	700 820	CBLA 20-Way Ribbon Cable Type 1 250mm
	700 511	CBLA 20-Way Ribbon Cable Type 1 320mm
	700 760	CBLA 20-Way Ribbon Cable Type 1 350mm
	700 891	CBLA 20-Way Ribbon Cable Type 1 550mm
	700 875	CBLA 20-Way Ribbon Cable Type 1 750mm
	700 783	CBLA 20-Way Ribbon Cable Type 1 850mm
26	701 184	CBLA 26-Way Ribbon Cable Type 1 50mm



<p style="text-align: center;">IDC Socket + Strain Relief</p>  <p style="text-align: center;">Type 2</p>		
Cores	Part No	Full Description
10	700 911	CBLA 10-Way Ribbon Cable Type 2 50mm
	700 913	CBLA 10-Way Ribbon Cable Type 2 70mm
	700 979	CBLA 10-Way Ribbon Cable Type 2 130mm
	700 908	CBLA 10-Way Ribbon Cable Type 2 100mm
	700 874	CBLA 10-Way Ribbon Cable Type 2 300mm
14	700 912	CBLA 14-Way Ribbon Cable Type 2 50mm
	700 978	CBLA 14-Way Ribbon Cable Type 2 100mm

<p style="text-align: center;">IDC Socket + Strain Relief</p>  <p style="text-align: center;">Type 3</p>		
Cores	Part No	Full Description
20	700 914	CBLA 20-Way Ribbon Cable Type 3 110mm
	700 980	CBLA 20-Way Ribbon Cable Type 3 160mm

Technical Information:

Item	Description / Material	Image
Ribbon Cable (Grey)	<p>IDC Ribbon Cable (Grey with red stripe). Pitch: 1.27mm/0.05"</p> <p>Conductor: tinned copper, 7/0.127mm Insulation: Polyvinyl chloride (PVC)</p>	
IDC Connector (Black)	<p>Current Rating: 1A AC/DC Voltage Rating: 250V AC/DC Operating Temperature: -40°C to +105°C Contact Resistance: 20mΩmax. Insulation Resistance: 1000MΩ Min. Withstand Voltage: 500V AC/minute Insulator: P.B.T, UL94V-0 Contact: Copper Alloy Finish: Selective Gold Plated</p>	
Typical Assembly		

General Information:

Manufacturer:	The Micha Design Company Limited
Country of Origin:	U.K.
HS / Commodity Code:	9032 8900