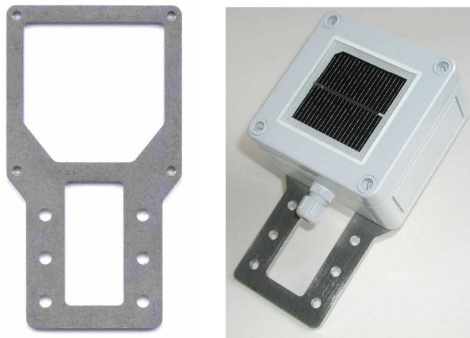


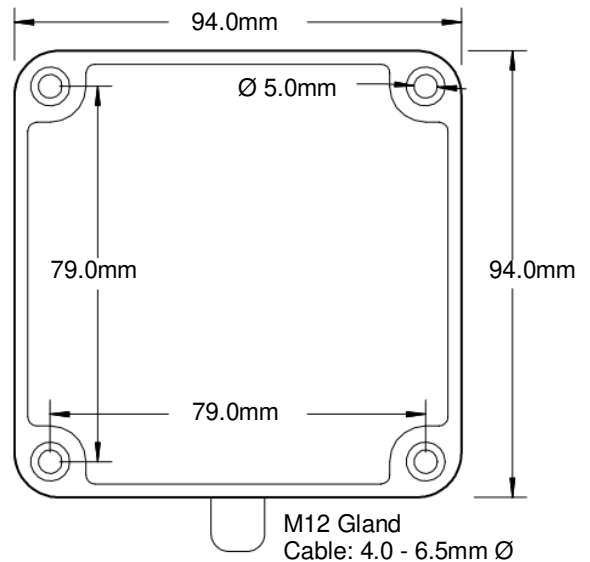


**Main Features**

- \* Monocrystalline Silicon Cell 50mm x 50mm
- \* Integrated into box cover and laminated under glass, offering excellent UV resistance and long-term stability.
- \* IP54 UV resistant polycarbonate box, including an M12 cable gland.
- \* Linear output in the range 50 to 1500W/m<sup>2</sup>
- \* Output signal: 95mV ± 8% at 1000W/m<sup>2</sup>
- \* Accuracy of monthly sums compared to a W.M.O. class 1 Pyranometer according to ISO 9060: better ± 5%
- \* Integrates directly with the **Micha** MSRx Auxiliary Analogue Input Module (PN 103 241) for display and logging.
- \* Can be used with **Micha** 4-20mA Transducer (PN 102 444) for use in stand-alone applications.
- \* Temperature range: -25°C to +70°C
- \* Warranty 10 years.



The sensor should normally be installed with the same orientation and inclination as the PV arrays. At the bottom of the enclosure are four 1mm ventilation holes and the sensor should be installed with these pointing downward. Suitable M4 socket screws for mounting are included. Connection terminals are screw-less type. Each sensor is labelled with the exact output and date of calibration.



Overall dimensions: 94 x 94 x 57mm

**Part Numbers:**

PN 102 443 : Pyranometer

Packed weight: 0.3kg

PN 600 880 : Stainless Steel Mounting Bracket (separately available)

Packed weight: 0.15kg